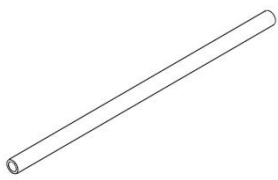


Important! – The final station is meant to hold 20 XO laptops. Building with PVC pipes with a smaller diameter than 20 mm ($\frac{3}{4}$ inches) may lead to an unsafe structure. **The finished charging station should be secured to an immovable surface (such as a wall).**

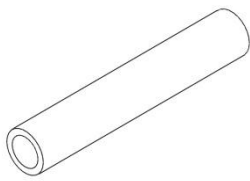
XO Laptop Charging Station Assembly Guide

Materials and Tools

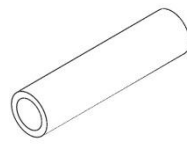
-All PVC pipes should have an inner diameter of 20 mm ($\frac{3}{4}$ inches)



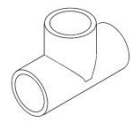
6 X
60 cm PVC Pipe



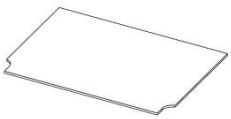
6 X
15 cm PVC Pipe



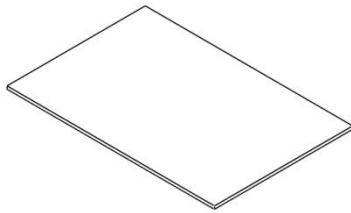
6 X
11 cm PVC pipe



12 X
PVC T-Connector



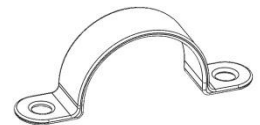
18 X
28 cm x 20 cm
Hardboard



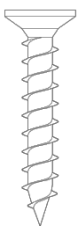
1 X
46 cm x 61 cm
Wood Board



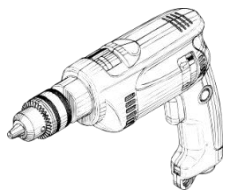
54 X
80 mm
Galvanized Nails



3 X
Pipe Straps



6 X
6 mm screws



1 X
Electric Drill

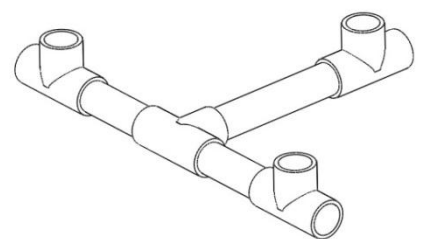
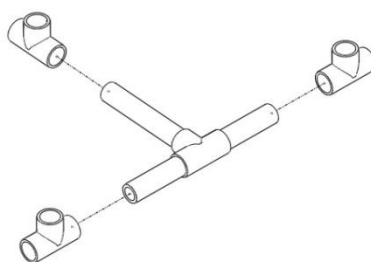
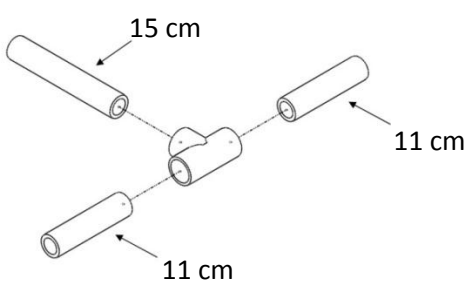


1 X
4 mm Drill Bit

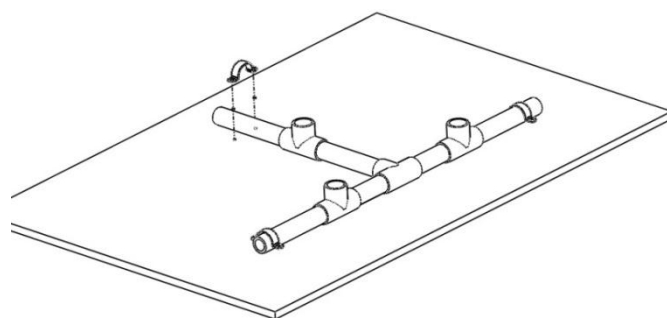
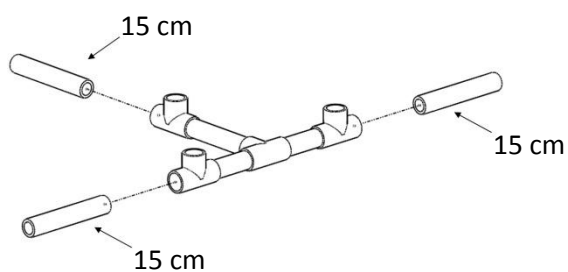
Other Tools

- 1 Ruler
- 1 Hammer
- 1 Knife

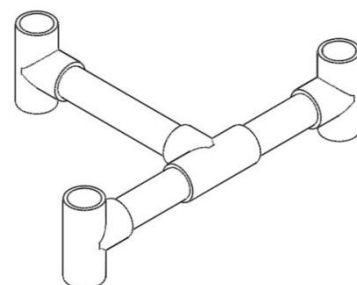
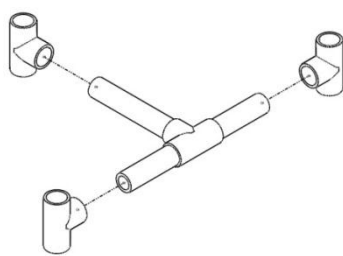
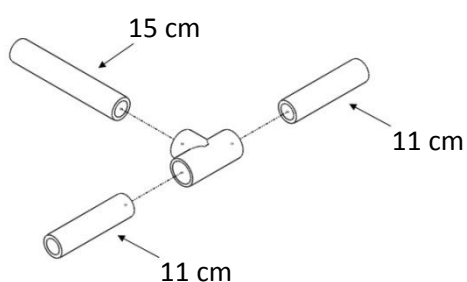
Assembly



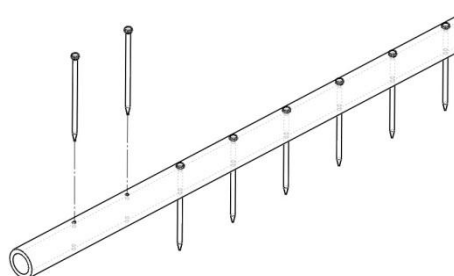
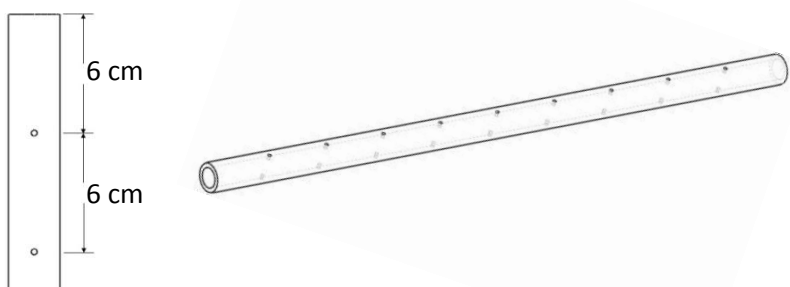
1. Assemble top and bottom T-supports from tee connectors, 11 cm pipes, and 15 cm pipes.



2. Screw the bottom T-support to the wooden board using the pipe straps.

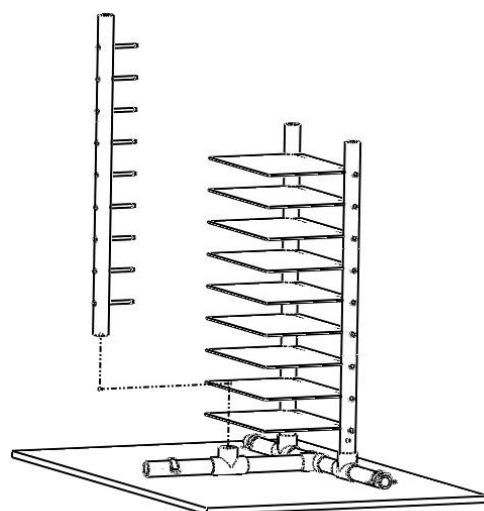
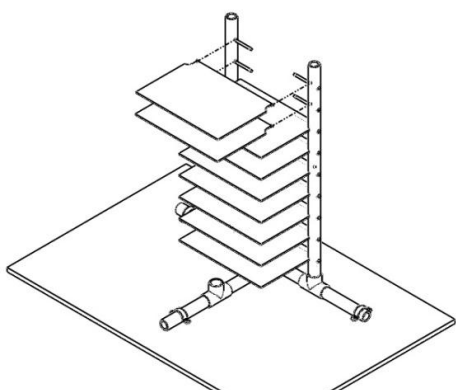
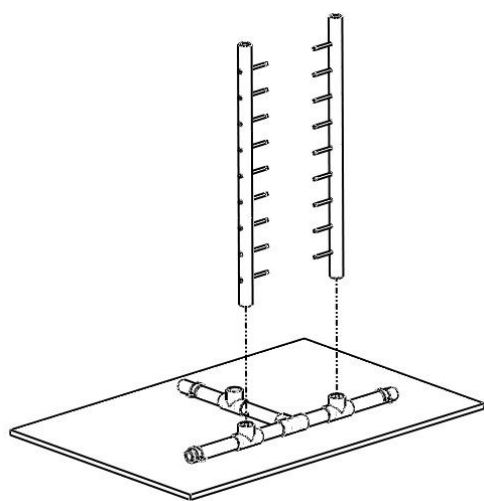


3. Assemble middle T-support from tee connectors, 11 cm pipes, and 15 cm pipes.



4. Drill 9 holes, 6 cm apart in each 60 cm PVC pipe, using the 4 mm drill bit.

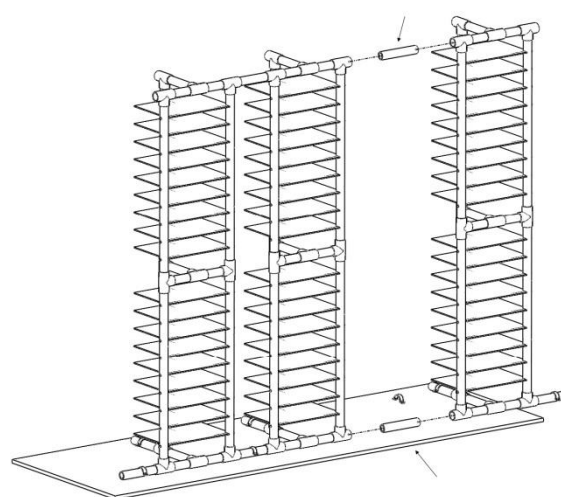
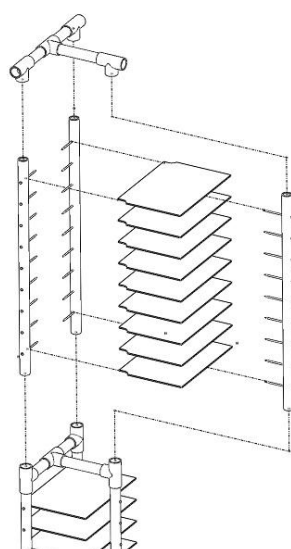
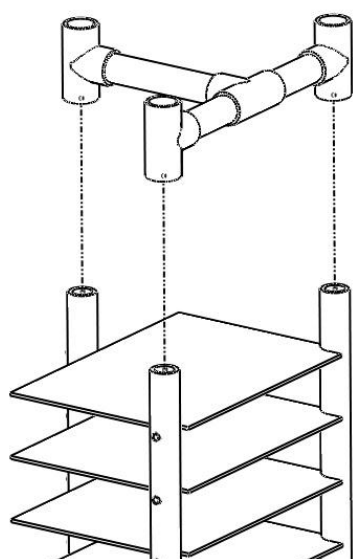
5. Hammer in a nail into each hole, all the way through the 60 cm PVC pipe.



7. Insert two 60 cm pipes into the bottom T-support.

8. Put in 9 of the hardboard shelves.

9. Put in the third 60 cm pipe into the bottom T-support.



10. Put the middle T-support onto the three PVC pipes.

11. Repeat to add top 9 shelves.

15. Adjacent charging stations can be attached together using the last 15 cm PVC pipe.